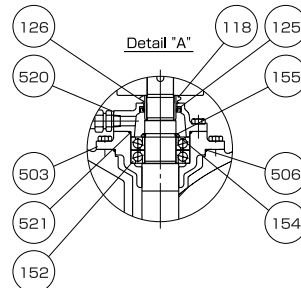
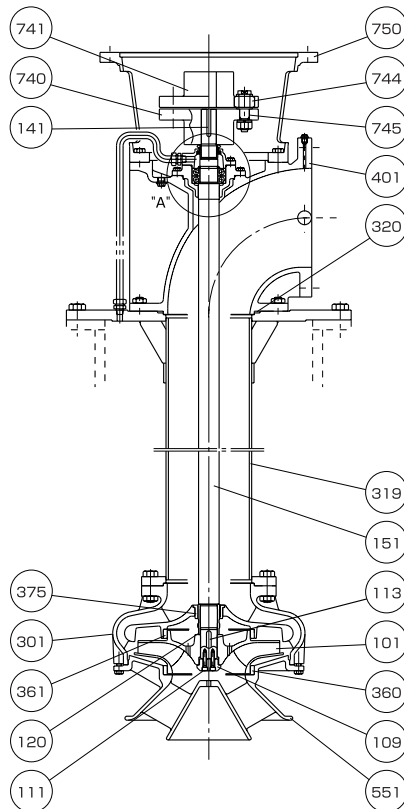


CENTRIFUGAL PUMP

C1T · C2T



Application

Lubricating Oil Pump

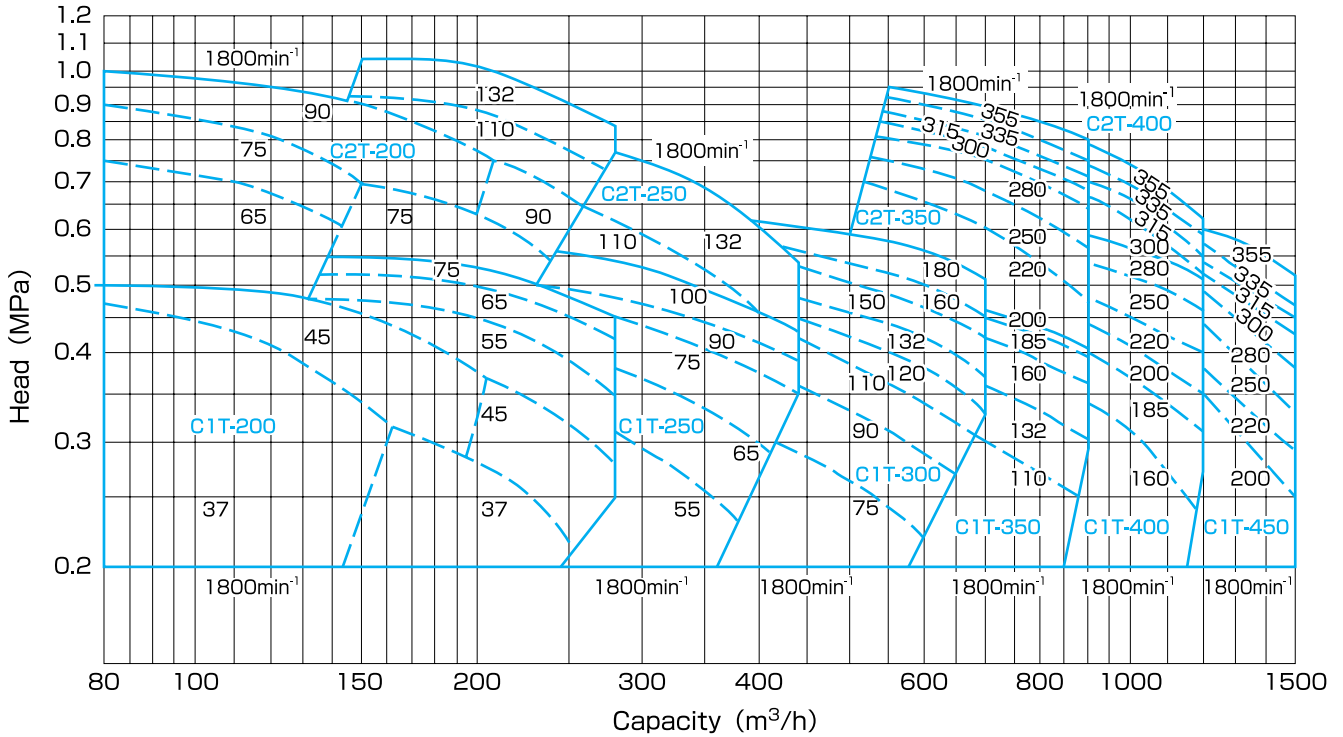
Feature

Vertical Tank-mounted Type

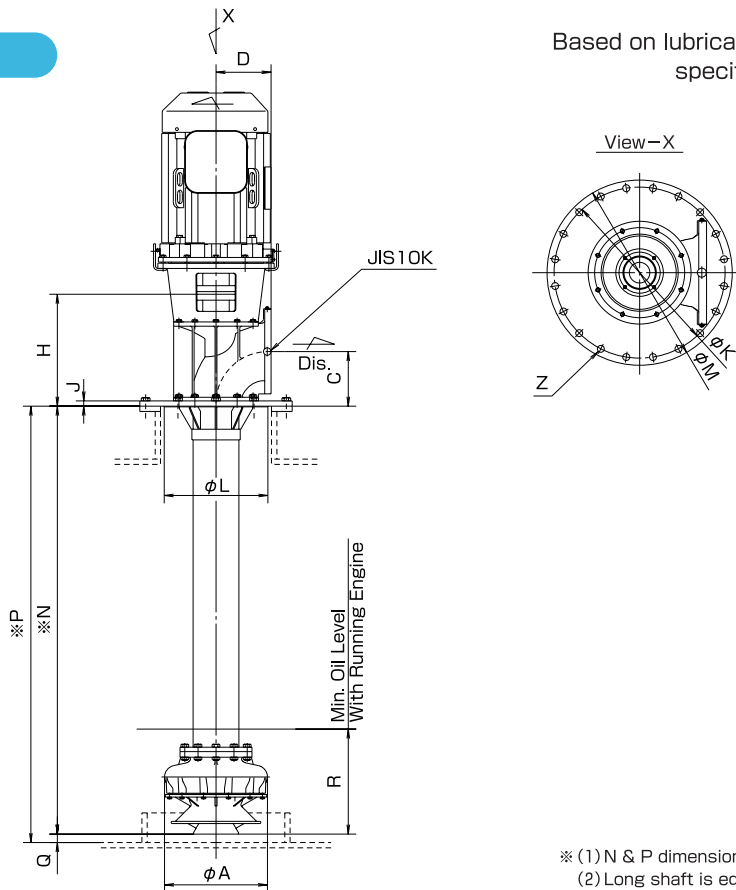
Structure & Material

| Part No. | Name | Req. No. | Lubricating Oil | | Part No. | Name | Req. No. | Sea Water | |
|----------|-------------------|----------|-------------------|----------|----------|---------------------|----------|------------|--------|
| | | | Material | JIS | | | | Material | JIS |
| 101 | IMPELLER | 1 | PHOSPHOR BRONZE | CAC502A | 320 | O-RING | 1 | RUBBER | NBR |
| 109 | HUB CAP | 1 | CARBON STEEL | S45C | 360 | CASING RING | 1 | BRONZE | CAC402 |
| 111 | SCREW | 2 | Cr-Mo STEEL | SCM435 | 361 | CASING RING | 1 | BRONZE | CAC402 |
| 113 | KEY | 1 | CARBON STEEL | S45C | 375 | BEARING BUSH | 1 | BRONZE | CAC402 |
| 118 | SLEEVE | 1 | STAINLESS STEEL | SUS420J2 | 401 | DELIVERY BEND | 1 | CAST IRON | FC200 |
| 120 | SLEEVE | 1 | STAINLESS STEEL | SUS420J2 | 503 | BEARING HOUSING | 1 | CAST IRON | FC200 |
| 125 | OIL SEAL | 1 | RUBBER | NBR | 506 | O-RING | 1 | RUBBER | NBR |
| 126 | V-RING | 1 | RUBBER | NBR | 520 | BEARING COVER | 1 | CAST IRON | FC200 |
| 141 | KEY | 1 | CARBON STEEL | S45C | 521 | O-RING | 1 | RUBBER | NBR |
| 151 | SHAFT | 1 | CARBON STEEL | S45C | 551 | SUCTION COVER | 1 | CAST IRON | FC200 |
| 152 | BALL BEARING | 1SET | BEARING STEEL | SUJ2 | 740 | COUPLING | 1 | CAST IRON | FC200 |
| 154 | WASHER | 1 | MILD STEEL | SS400 | 741 | COUPLING | 1 | CAST IRON | FC200 |
| 155 | SNAP RING | 1 | CARBON TOOL STEEL | SK5 | 744 | COUPLING RING | 8 | RUBBER | NBR |
| 301 | GUIDE VANE CASING | 1 | CAST IRON | FC200 | 745 | COUPLING BOLT & NUT | 8 | MILD STEEL | SS400 |
| 319 | COLUMN PIPE | 1 | CARBON STEEL PIPE | STPG370 | 750 | MOTOR FRAME | 1 | CAST IRON | FC200 |

Performance



Dimension



Based on lubrication oil at 75 mm²/s,
specific gravity 0.9

※ (1) N & P dimensions are adjusted to Tank depth.
(2) Long shaft is equipped with intermediate bearing.

| Model No. | Bore Dis. | Dimension (mm) | | | | | | | | | | | | |
|-----------|-----------|----------------|-----|-----|-----|----|-----|-----|-----|------|------|----|-----|--------|
| | | A | C | D | H | J | K | L | M | N | P | Q | R | Z |
| C1T-200 | 200 | 475 | 233 | 260 | 498 | 25 | 605 | 480 | 655 | 1710 | 1750 | 40 | 350 | 20-φ25 |
| C1T-250 | 250 | 485 | 258 | 260 | 533 | 25 | 665 | 495 | 720 | 1620 | 1660 | 40 | 350 | 20-φ27 |
| C1T-300 | 300 | 540 | 282 | 290 | 587 | 29 | 665 | 550 | 720 | 1775 | 1815 | 40 | 350 | 20-φ27 |
| C1T-350 | 350 | 570 | 315 | 355 | 743 | 32 | 715 | 575 | 770 | 1965 | 2005 | 40 | 560 | 20-φ27 |
| C1T-400 | 400 | 630 | 400 | 400 | 855 | 32 | 770 | 635 | 825 | 1940 | 1980 | 40 | 660 | 24-φ27 |
| C1T-450 | 450 | 680 | 450 | 425 | 930 | 32 | 820 | 685 | 875 | 1930 | 1970 | 40 | 720 | 24-φ27 |
| C2T-200 | 200 | 475 | 233 | 260 | 498 | 25 | 605 | 480 | 655 | 1950 | 1990 | 40 | 350 | 20-φ25 |
| C2T-250 | 250 | 485 | 258 | 260 | 533 | 25 | 665 | 495 | 720 | 1820 | 1860 | 40 | 350 | 20-φ27 |
| C2T-350 | 350 | 570 | 315 | 355 | 743 | 32 | 715 | 575 | 770 | 2340 | 2380 | 40 | 560 | 20-φ27 |
| C2T-400 | 400 | 630 | 400 | 400 | 855 | 32 | 770 | 635 | 825 | 2400 | 2440 | 40 | 660 | 24-φ27 |